

ELECTROMAGNETIC PLATE

The electromagnetic plate is especially suitable for installations where the ferrous contamination is composed of large pieces or where the working height is higher than 300mm from the surface.

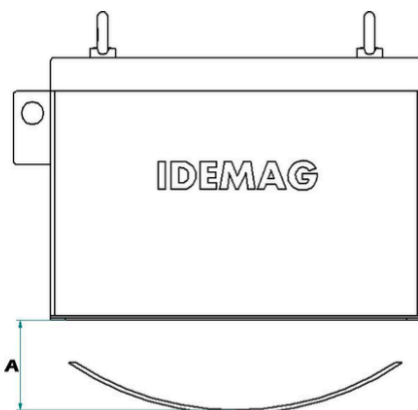
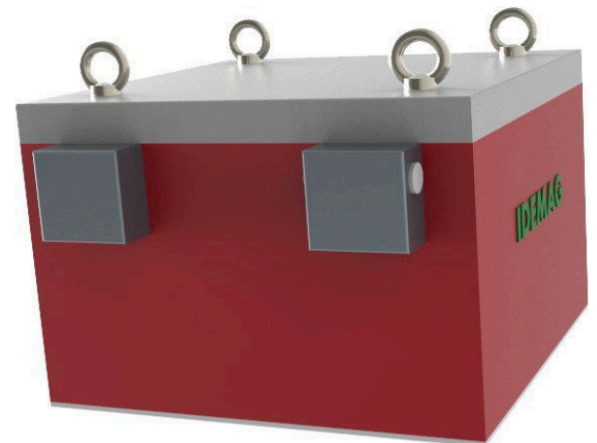
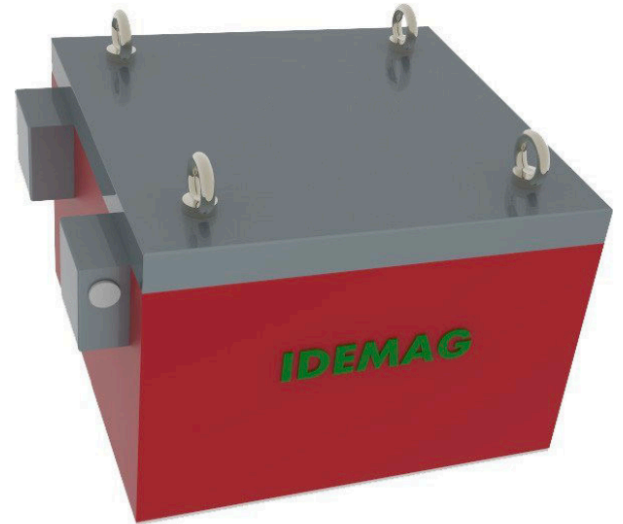
The unit consists of an electromagnetic coil with circular shape, in iron housing with a stainless steel base.

Its design is totally customized depending on the conveyor belt above which it will be installed and taking into account a demanding working environment.

Our experience allows us to optimize electricity consumption and to provide a working cycle of up to 100%.

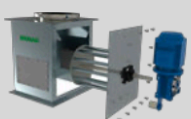
The incorporated refrigeration system extends the lifetime of the electromagnetic coil.

They are supplied with the corresponding control panel, designed exclusively for each unit, according to coil power, and that provides all the necessary electrical protection measures for optimum and safe operation.



The working height (A) shall be in a range from 100 to 500 mm, depending on the power (Kw) of the electromagnetic coil.

IDEMAG manufactures electromagnetic plates with power ranging from 1.5 to 15 Kw.



ELECTROMAGNETIC PLATE

INSTALLATION EXAMPLES

